



HPK
INSULATORS

HPK Porcelain T&D Line Insulators

ANSI



LILING HUAXIN INSULATOR TECHNOLOGY CO.,LTD

www.hpk-insulators.com



HPK INSULATORS INTRODUCTION

Liling Huaxin Insulator Technology Co., Ltd is located in Liling city, Hunan province, doing business as HPK INSULATORS.

The company was founded in 1985, has always focused on the research, design, production and sales of leading products in electric porcelain insulator industry, owns the most variety and the largest production quantity of porcelain hollow insulator, together with HPK solid post insulators and composite insulators, Liling HUAXIN has ability to provide solutions for all demands of porcelain and composite insulators.

The company owns 802 employees including 8 senior engineers, 80 professional technicians, and covers an area of 350 thousand square meters, the workshop area is around 80 thousand square meters, which includes 75 thousand square meters for porcelain insulators and 4 thousand square meters for composite insulators.

HUAXIN is the key strategic partner of the world leading power grid equipment operators ABB, SIEMENS and GE and the important insulator supplier in their global industrial chains. Further more, the company has supplied many kinds of quality porcelain insulator products to a number of key national transmission and transformation projects in China, such as the "Three Gorges Project", "Lanzhou-Guanting 750kV Transmission and Transformation Demonstration Project", "Southeast Shanxi-Nanyang-Jinmen 1,000kV UHV AC Transmission and Transformation Demonstration Project", etc.

In the past 35 years, over 15 million pieces of Liling Huaxin insulator products have been operating safely on the HV and UHV transmission and transformation lines all over the world, We aspire to provide better quality insulators with more varieties and insulator solutions to serve the domestic and global power by integrating Huaxin worldwide-applied porcelain insulators with 35 years manufacturing experienced transmission line insulators, and high-performance composite insulators; and supported by our excellent specialized service.

- ① Production Line 1
- ② Production Line 2
- ③ Production Line 3
- ④ Production Line 4
- ⑤ Production Line 5
- ⑥ Testing Center 1
- ⑦ Testing Center 2
- ⑧ Warehouse



HPK INSULATORS TR POST

HPK offers a full range of porcelain T&D Insulators including insulator types of suspension, line post, low voltage pin, high voltage pin, spool and guy strain. All insulators are manufactured from high strength alumina porcelain with wet process, and all are made and tested in accordance with ANSI Standard.



Meet the requirements and tests specified in the following standards

- ANSI C29.2 Wet Process Porcelain and Toughened Glass — Transmission Suspension Type
- ANSI C29.3 Wet Process Porcelain Insulators — Spool Type
- ANSI C29.4 Wet Process Porcelain Insulators — Strain Type
- ANSI C29.5 Wet Process Porcelain Insulators — Low- and Medium-Voltage Types
- ANSI C29.6 Wet Process Porcelain Insulators — High-Voltage Pin-Type
- ANSI C29.7 Wet Process Porcelain Insulators — High-Voltage Line Post-Type



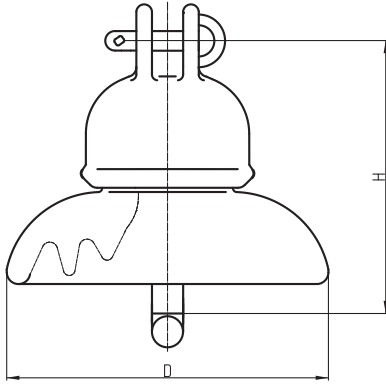


Figure 52-1

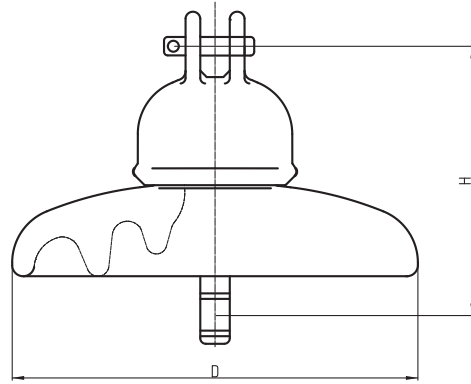


Figure 52-2

HPK - ANSI 52 Series Porcelain Suspension Insulators

ANSI Number	52-1		52-2		52-3-L		52-3-H		52-4-L		52-4-H		52-5-L		52-5H	
HPK Catalog Number	22521		22522		22523L		22523H		22524L		22524H		22525L		22525H	
Figure Number	1		2		3		3		4		4		3		3	
DIMENSIONS	In	mm	In	mm	In	mm	In	mm	In	mm	In	mm	In	mm	In	mm
Minimum Leakage Distance	7	178	8.3	210	11.5	292	11.5	292	11.5	292	11.5	292	11	279	11	279
Spacing	5.5	140	5.75	146	5.75	146	5.75	146	5.75	146	5.75	146	5.75	146	5.75	146
Shell diameter	6.5	165	7.5	190.5	10.75	273	10.75	273	10.75	273	10.75	273	10.75	273	10.75	273
ELECTRICAL PERFORMANCE																
Unit	Lbs	kN	Lbs	kN	Lbs	kN	Lbs	kN	Lbs	kN	Lbs	kN	Lbs	kN	Lbs	kN
Combined M&E Strength	10000	44	20000	89	15000	67	20000	89	15000	111	20000	111	25000	160	30000	133
Tension Proof Test	5000	22.2	10000	44.5	7500	33.4	10000	44.5	7500	33.4	10000	44.4	12500	55.6	15000	66.7
Unit	Pounds	N-m	Pounds	N-m	Pounds	N-m	Pounds	N-m	Pounds	N-m	Pounds	N-m	Pounds	N-m	Pounds	N-m
Impact Strength	45	5.0	55	6.0	55	6.0	55	6.0	55	6.0	60	7.0	60	7.0	60	7.0
Low frequency flashover, dry /kV	60		65		80		80		80		80		80		80	
Low frequency flashover, wet /kV	30		35		50		50		50		50		50		50	
Impulse flashover, positive B N/A	100		115		125		125		125		125		125		125	
Impulse flashover, negative /kV	100		115		130		130		130		130		130		130	
Low frequency puncture voltage (rms)	80		80		110		110		110		110		110		110	
Radio-influence Voltage																
Low-frequency test voltage /kV	7.5		7.5		10.0		10.0		10		10		10		10	
Maximum RIV at 1,000 kHz / μV	50		50		50		50		50		50		50		50	
Connection Type	Clevis		Clevis		B&S / Type B		B&S / Type B		Clevis		Clevis		B&S / Type J		B&S / Type J	

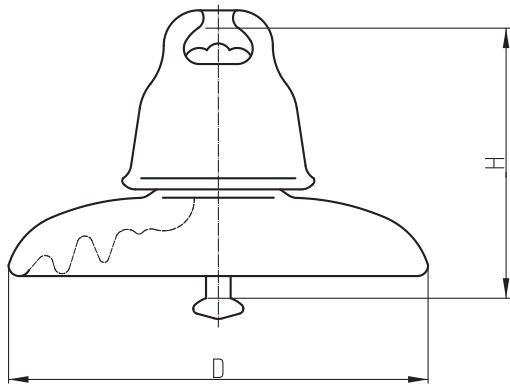


Figure 52-3

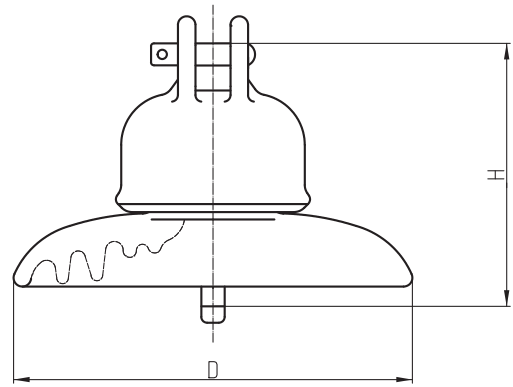


Figure 52-4

HPK - ANSI 52 Series Porcelain Suspension Insulators

ANSI Number	52-6-L		52-6-H		52-8-L		52-8-H		52-10-L		52-10-H		52-11		52-12	
HPK Catalog Number	22526L		22526H		22528L		22528H		225210L		225210H		225211		225212	
Figure Number	4		4		3		3		4		4		3		4	
DIMENSIONS	In	mm	In	mm	In	mm	In	mm	In	mm	In	mm	In	mm	In	mm
Minimum Leakage Distance	11	279	11	279	11	279	11	279	11	279	11	279	15	381	15	381
Spacing	5.75	146	5.75	146	5.75	146	5.75	146	6.5	165	6.5	165	6.125	155.5	7	178
Shell diameter	10.75	273	10.75	273	11.75	298	11.75	298	11.75	298	11.75	298	12.25	311	12.25	311
ELECTRICAL PERFORMANCE																
Unit	Lbs	kN	Lbs	kN	Lbs	kN	Lbs	kN	Lbs	kN	Lbs	kN	Lbs	kN	Lbs	kN
Combined M&E Strength	25000	111	30000	133	36000	160	40000	178	36000	160	40000	178	50000	222	50000	222
Tension Proof Test	12500	55.6	15000	66.7	18000	80	20000	89	18000	80	20000	89	25000	111	25000	111
Unit	Pounds	N-m	Pounds	N-m	Pounds	N-m	Pounds	N-m	Pounds	N-m	Pounds	N-m	Pounds	N-m	Pounds	N-m
Impact Strength	60	7.0	60	7.0	90	10.0	90	10.0	90	10.0	90	10.0	90	10.0	90	10.0
Low frequency flashover, dry /kV	80		80		80		80		80		80		80		80	
Low frequency flashover, wet /kV	50		50		50		50		50		50		50		50	
Impulse flashover, positive B N/A	125		125		125		125		125		125		140		140	
Impulse flashover, negative /kV	130		130		130		130		130		130		140		140	
Low frequency puncture voltage (rms)	110		110		110		110		110		110		125		125	
Radio-influence Voltage																
Low-frequency test voltage /kV	10		10		10		10		10		10		10		10	
Maximum RIV at 1,000 kHz / μ V	50		50		50		50		50		50		50		50	
Connection Type	Clevis		Clevis		B&S / Type K		B&S / Type K		clevis		Clevis		B&S / Type K		clevis	

HPK - ANSI 53 Series Porcelain Spool Insulators

ANSI Number	53-1		53-2		53-3		53-4		53-5		R-1		R6-B	
HPK Catalog Number	22531		22532		22533		22534		22535					
Figure Number	1		2		1		1		5		6		7	
DIMENSIONS	In	mm	In	mm	In	mm	In	mm	In	mm	In	mm	In	mm
H	2.13	54.1	3	76.2	3.19	81	3	76.2	4.13	104.9	2.13	54	3	76
h	1.06	26.924	1.5	38.1	1.59	40.4	1.5	38.1	2.07	52.6	1.06	27	0.69	18
h1	0.51	13	0.75	19.1	0.75	19.1	0.75	19.1	0.98	24.9	0.55	14	N/A	N/A
D	2.24	56.9	3.11	79	3	76.2	4.13	104.9	4.02	102.1	2.25	57.2	3	76
d	1.77	45	1.77	45	1.77	45	2.87	72.9	2.87	72.9	1.5	38	2	50.8
d1	0.71	18	0.71	18	0.71	18	0.71	18	0.71	18	0.67	17	0.69	18
d2	0.87	22.1	0.94	23.9	0.94	23.9	0.94	23.9	0.94	23.9	N/A	N/A	1.75	44.5
R	0.43	10.9	0.71	18	0.43	10.9	0.63	16	0.43	10.9	0.43	10.9	0.32	8.13
Mechanical Strength														
Unit	Lbs	kN	Lbs	kN	Lbs	kN	Lbs	kN	Lbs	kN	Lbs	kN	Lbs	kN
Transverse strength	2000	8.9	3000	13.3	4000	17.8	4500	20	6000	26.7	2000	8.9	3000	13.3
Mechanical Strength														
Low-frequency dry flashover / kV	20		25		25		25		35		18		20	
Low-frequency wet flashover vertical / kV	8		12		12		12		18		7		10	
Low-frequency wet flashover horizontal / kV	10		15		15		15		25		9		12	

HPK - ANSI 54 Series Porcelain Guy Strain Insulators

ANSI Number	54-1		54-2		54-3		54-4	
HPK Catalog Number	22541		22542		22543		22544	
Figure Number	1		1		1		2	
DIMENSIONS	In	mm	In	mm	In	mm	In	mm
Minimum Leakage Distance	1.625	41.3	1.875	47.6	2.25	57.2	3	76.2
H	3.5	88.9	4.25	108	5.5	139.7	6.75	171.5
h	1.75	44.5	2.25	57.2	3.125	79.4	2.625	66.7
h1	2.5	63.5	3	76.2	4.06	103.1	4.5	114.3
D	2.5	63.5	2.875	73	3.375	85.7	3.81	96.8
d	1.75	44.5	2.1	54	2.38	60.3	2.38	60.3
d1	0.63	15.9	0.88	22.2	1	25.4	1	25.4
Mechanical Strength								
Unit	Lbs	kN	Lbs	kN	Lbs	kN	Lbs	kN
Transverse strength	10000	44.5	12000	53.4	15000	66.7	20000	89
Mechanical Strength								
Low-frequency dry flashover / kV	25		30		35		40	
Low-frequency wet flashover / kV	12		15		18		23	

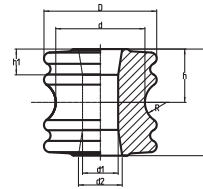


Figure 53-1

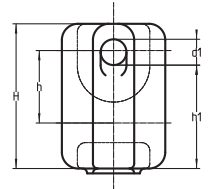


Figure 54-1

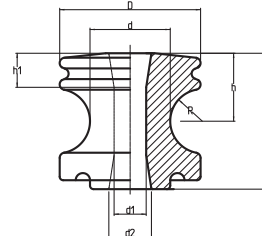


Figure 53-2

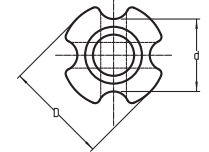


Figure 54-2

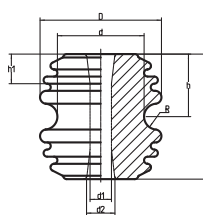
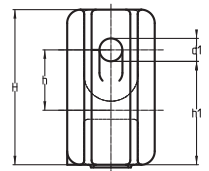


Figure 53-3



HPK - ANSI 55 Series Porcelain Pin Type Insulators

ANSI Number	55-1		55-2P		55-2RF		55-3P		55-3RF		55-4P		55-4RF		55-5P	
HPK Catalog Number	22551		22552P		22552RF		22553P		22553RF		22554P		22554RF		22555P	
Figure Number	1		2		2		3		3		4		4		5	
DIMENSIONS	In	mm	In	mm	In	mm	In	mm	In	mm	In	mm	In	mm	In	mm
Minimum Leakage Distance	4	101.6	5	127	5	127	7	178	7	178	9	229	9	229	12	305
Dry-arcing distance	2.25	57.2	3.375	85.7	3.375	85.7	4.5	114.3	4.5	114.3	5	127	5	127	6.25	158.8
Minimum pin height	4	101.6	4	101.6	4	101.6	5	127	5	127	5	127	5	127	6	152.4
D	3.25	82.6	3.75	95.3	3.75	95.3	4.8	120.7	4.8	120.7	5.5	139.7	5.5	139.7	7.0	177.8
H	3.5	88.9	3.25	82.55	3.25	82.55	3.75	95.3	3.75	95.3	4.375	111.1	4.375	111.1	4.875	123.8
h	1.75	44.5	1.5	38.1	1.5	38.1	1.5	38.1	1.5	38.1	1.75	44.5	1.75	44.5	2	50.8
d1	3.25	82.6	3.5	88.9	3.5	88.9	3.375	85.7	3.375	85.7	4	101.6	4	101.6	4	101.6
d2	2.25	57.2	2.25	57.2	2.25	57.2	2.25	57.2	2.25	57.2	2.875	73	2.875	73	2.875	73
d3	1.44	36.5	1.44	36.5	1.44	36.5	1.625	41.3	1.625	41.3	1.625	41.3	1.625	41.3	1.625	41.3
R	0.5	12.7	0.563	14.3	0.563	14.3	0.563	14.3	0.563	14.3	0.563	14.3	0.563	14.3	0.563	14.3
Mechanical Strength																
Unit	Lbs	kN	Lbs	kN	Lbs	kN	Lbs	kN	Lbs	kN	Lbs	kN	Lbs	kN	Lbs	kN
Cantilever strength	3000	13.3	2500	11.1	2500	11.1	2500	11.1	2500	11.1	3000	13.3	3000	13.3	3000	13.3
Electrical Values																
Low-frequency dry flashover /kV	35		50		45		65		55		70		65		85	
Low-frequency wet flashover /kV	20		25		25		35		30		40		35		45	
Critical impulse flashover positive /kV	50		75		70		100		90		110		105		140	
Critical impulse flashover negative /kV	70		95		85		130		110		140		130		170	
Low-frequency puncture voltage /kV	50		70		70		90		90		95		95		115	
Radio-influence Voltage																
Low-frequency test voltage /kV	5		5		5		10		10		10		10		15	
Maximum RIV at 1,000 kHz /uV	50		2500		50		5500		50		5500		50		8000	

ANSI Number	55-5RF		55-6		55-7	
HPK Catalog Number	22555RF		22556		22557	
Figure Number	5		5		5	
DIMENSIONS	In	mm	In	mm	In	mm
Minimum Leakage Distance	12	304.8	15	381	15	381
Dry-arcing distance	6.25	158.8	8	203.2	8	203.2
Minimum pin height	6	152.4	7.5	190.5	7.5	190.5
D	7	177.8	8.375	212.7	8.375	212.7
H	4.875	123.8	5.5	139.7	5.5	139.7
h	2	50.8	2.25	57.2	2.25	57.2
d1	4	101.6	4.75	120.7	4.75	120.7
d2	2.875	73	3.5	88.9	3.5	88.9
d3	1.625	41.3	1.75	44.5	2	50.8
R	0.563	14.3	0.625	15.9	0.625	15.9
Mechanical Strength						
Unit	Lbs	kN	Lbs	kN	Lbs	kN
Cantilever strength	3000	13.3	3000	13.3	3000	13.3
Electrical Values						
Low-frequency dry flashover /kV	80		100		100	
Low-frequency wet flashover /kV	45		50		50	
Critical impulse flashover positive /kV	130		150		150	
Critical impulse flashover negative /kV	150		170		170	
Low-frequency puncture voltage /kV	115		135		135	
Radio-influence Voltage						
Low-frequency test voltage /kV	15		22		22	
Maximum RIV at 1,000 kHz /uV	100		100		100	

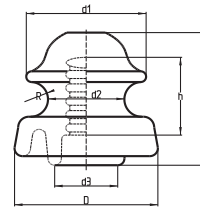


Figure 55-1

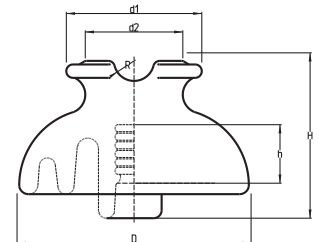


Figure 55-4

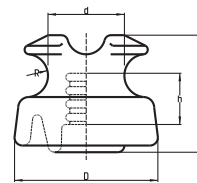


Figure 55-2

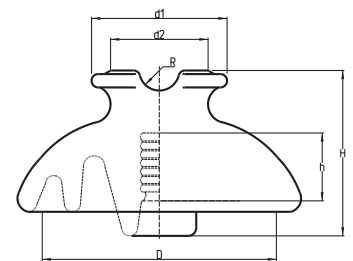


Figure 55-5

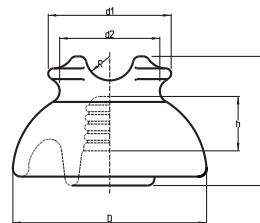


Figure 55-3

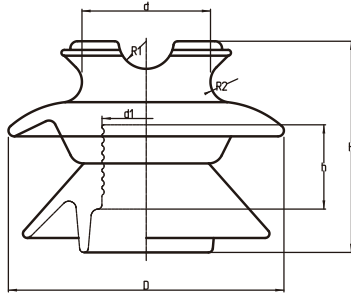


Figure 56-1

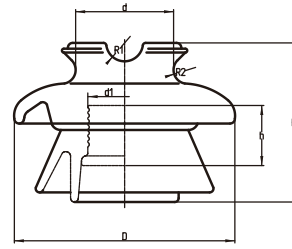


Figure 56-2

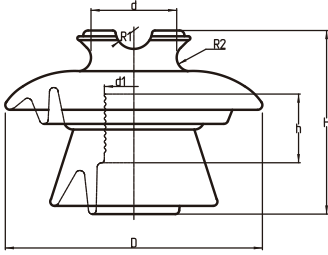


Figure 56-3

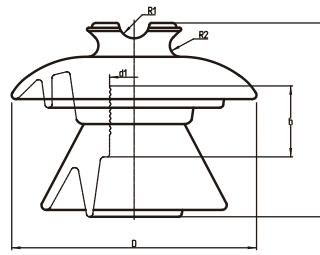


Figure 56-4

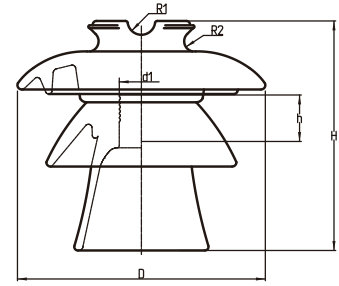


Figure 56-5

HPK - ANSI 56 Series Porcelain Pin Type Insulators

ANSI Number	56-1		56-2		56-3		56-4		56-5	
HPK Catalog Number	22561		22562		22563		22564		22565	
Figure Number	1		2		3		4		5	
DIMENSIONS	In	mm	In	mm	In	mm	In	mm	In	mm
Minimum Leakage Distance	13	330.2	17	431.8	21	533.4	27	685.8	34	863.6
Dry-arcing distance	7	177.8	8.25	209.6	9.5	241.3	11.25	285.8	14	355.6
Minimum pin height	6	152.4	7	177.8	8	203.2	10	254.0	12	304.8
D	7.5	190.5	9	228.6	10.5	266.7	12	304.8	13.5	342.9
H	5.75	146.1	6.5	165.1	7.5	190.5	9.5	241.3	12.5	317.5
h	2	50.8	2	50.8	2	50.8	2	50.8	2.125	54.0
d1	3.5	88.9	4	101.6	4	101.6	4.5	114.3	5.375	136.5
d2	1.375	34.9	1.375	34.9	1.375	34.9	1.375	34.9	1.375	34.9
d3	0.75	19.1	0.75	19.1	0.75	19.1	0.75	19.1	0.75	19.1
R	0.5625	14.3	0.5625	14.3	0.5625	14.3	0.5625	14.3	0.5625	14.3
Mechanical Strength										
Unit	Lbs	kN	Lbs	kN	Lbs	kN	Lbs	kN	Lbs	kN
Cantilever strength	2500	11.1	3000	13.3	3000	13.3	3000	13.3	3000	13.3
Electrical Values										
Low-frequency dry flashover /kV	95		110		125		140		175	
Low-frequency wet flashover /kV	60		70		80		95		125	
Critical impulse flashover positive /kV	150		175		200		225		270	
Critical impulse flashover negative /kV	190		225		265		310		340	
Low-frequency puncture voltage /kV	130		145		165		185		225	
Radio-influence Voltage										
Low-frequency test voltage /kV	15		22		30		30		44	
Maximum RIV at 1,000 kHz /uV	100		100		200		200		200	

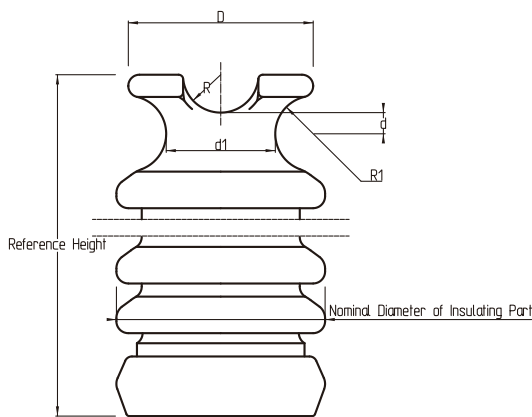


Figure 57-1

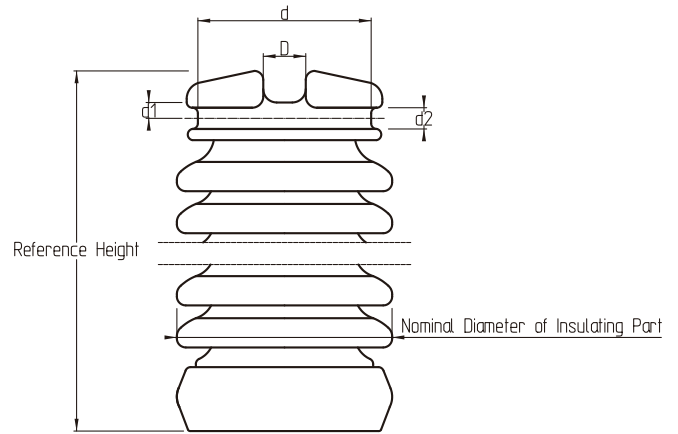


Figure 57-2

HPK - ANSI 52 Series Porcelain Suspension Insulators

ANSI Number	57-1		57-2		57-3		57-4		57-5		57-6		57-11		57-12	
HPK Catalog Number	22571		22572		22573		22574		22575		22576		225711		225712	
Figure Number	1		1		1		2		2		2		3		3	
DIMENSIONS	In	mm	In	mm	In	mm	In	mm	In	mm	In	mm	In	mm	In	mm
Minimum Leakage Distance	14	355.6	22	558.8	29	736.6	40	1016	45	1143	53	1346.2	14	355.6	22	558.8
Dry-arcing distance	6.5	165.1	9.5	241.3	12.25	311.15	14.5	368.3	17.25	438.15	19.25	488.95	6.5	165.1	9.5	241.3
Reference height/length	9	228.6	12	304.8	15	381	17	431.8	20	508	23.5	596.9	10	254	13	330.2
Nominal Diameter Insulating Part	5.5	139.7	6	152.4	6.5	165.1	7.0	177.8	7.5	190.5	8	203.2	6	152.4	6.5	165.1
Center Hole Nominal Threaded Size	0.75	19.05	0.75	19.05	0.75	19.05	0.75	19.05	0.75	19.05	0.875	22.225	0.875	22.225	0.75	19.05
Electrical Values																
Unit	Lbs	kN	Lbs	kN	Lbs	kN	Lbs	kN	Lbs	kN	Lbs	kN	Lbs	kN	Lbs	kN
Cantilever strength	2800	12.5	2800	12.5	2800	12.5	2800	12.5	2800	12.5	2800	12.5	2800	12.5	2800	12.5
Mechanical Strength																
Low-frequency dry flashover /kV	70	100	125	140	160	180	70	100								
Low-frequency wet flashover /kV	50	70	95	110	130	150	50	70								
Critical impulse flashover /kV	120	160	200	230	265	300	120	160								
Radio-influence Voltage																
Test voltage /kV	15	22	30	44	44	44	15	22								
Maximum RIV at 1,000 kHz /uV	100	100	200	200	200	200	100	100								
TYPE	Vertical Tie-Top	Vertical Tie-Top	Vertical Tie-Top	Vertical Tie-Top	Vertical Tie-Top	Vertical Tie-Top	Vertical Clamp-Top	Vertical Clamp-Top								

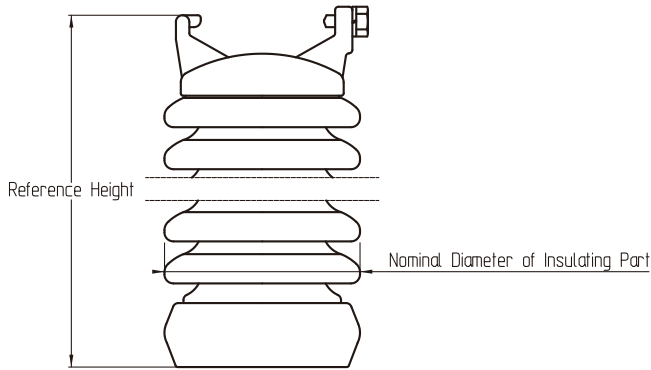


Figure 57-3

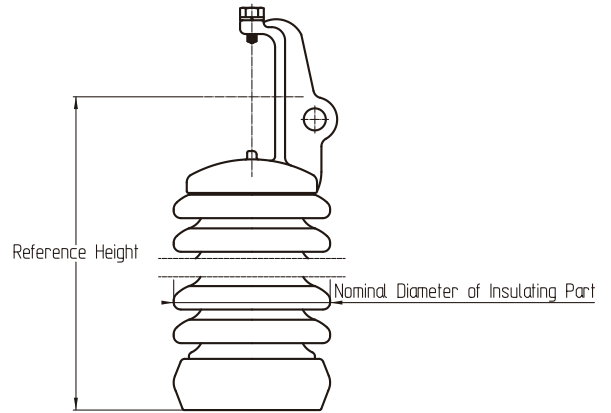


Figure 57-4

HPK - ANSI 52 Series Porcelain Suspension Insulators

ANSI Number	57-13		57-14		57-15		57-16		57-21		57-22		57-23		57-24	
HPK Catalog Number	225713		225714		225715		225716		225721		225722		225723		225724	
Figure Number	3		3		3		3		4		4		4		4	
DIMENSIONS	In	mm	In	mm	In	mm	In	mm	In	mm	In	mm	In	mm	In	mm
Minimum Leakage Distance	29	736.6	40	1016	45	1143	53	1346.2	14	355.6	22	558.8	29	736.6	40	1016
Dry-arcing distance	12.25	311.15	14.5	368.3	17.25	438.15	19.25	488.95	6.5	165.1	9.5	241.3	12.25	311.15	14.5	368.3
Reference height/length	16	406.4	18.5	469.9	21.5	546.1	24.5	622.3	11	279.4	14	355.6	16.5	419.1	20	508
Nominal Diameter Insulating Part	6.5	165.1	7	177.8	7.5	190.5	8.0	203.2	6	152.4	6.5	165.1	6.5	165.1	7.0	177.8
Center Hole Nominal Threaded Size	0.75	19.05	0.75	19.05	0.75	19.05	0.875	22.225	0.75	19.05	0.75	19.05	0.75	19.05	0.75	19.05
Electrical Values																
Unit	Lbs	kN	Lbs	kN	Lbs	kN	Lbs	kN	Lbs	kN	Lbs	kN	Lbs	kN	Lbs	kN
Cantilever strength	2800	12.5	2800	12.5	2800	12.5	2800	12.5	2800	12.5	2800	12.5	2800	12.5	2800	12.5
Mechanical Strength																
Low-frequency dry flashover /kV	125		140		160		180		70		100		125		140	
Low-frequency wet flashover /kV	90		110		130		150		50		70		95		110	
Critical impulse flashover /kV	200		230		260		300		120		160		200		230	
Radio-influence Voltage																
Test voltage /kV	30		44		44		44		15		22		30		44	
Maximum RIV at 1,000 kHz /uV	200		200		200		200		100		100		200		200	
TYPE	Vertical Clamp-Top		Vertical Clamp-Top		Vertical Clamp-Top		Vertical Clamp-Top		Horizontal Cup-Base		Horizontal Cup-Base		Horizontal Cup-Base		Horizontal Cup-Base	

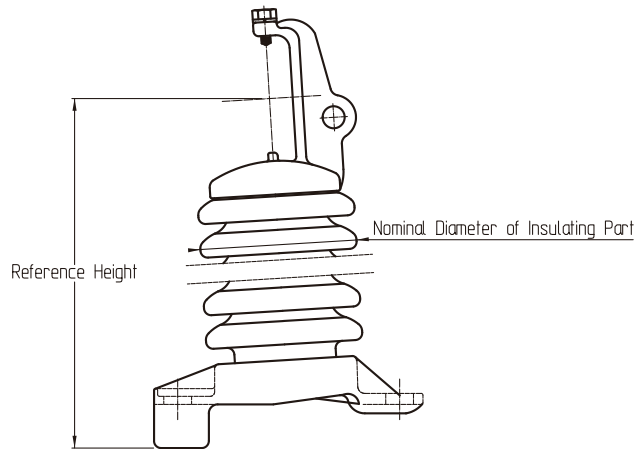


Figure 57-5

HPK - ANSI 52 Series Porcelain Suspension Insulators

ANSI Number	57-25		57-26		57-31		57-32		57-33		57-34		57-35		57-36	
HPK Catalog Number	225725		225726		225731		225732		225733		225734		225735		225736	
Figure Number	4		4		5		5		5		5		5		5	
DIMENSIONS	In	mm	In	mm	In	mm	In	mm	In	mm	In	mm	In	mm	In	mm
Minimum Leakage Distance	45	1143	53	1346.2	14	355.6	22	558.8	29	736.6	40	1016	45	1143	53	1346.2
Dry-arcing distance	17.25	438.15	19.25	488.95	6.5	165.1	9.5	241.3	12.25	311.15	14.5	368.3	17.25	438.15	19.25	488.95
Reference height/length	22.5	571.5	25	635	11	279.4	14	355.6	16.5	419.1	20	508	22.5	571.5	25	635
Nominal Diameter Insulating Part	7.5	190.5	8	203.2	6	152.4	6.5	165.1	6.5	165.1	7	177.8	7.5	190.5	8.0	203.2
Center Hole Nominal Threaded Size	0.75	19.05	0.875	22.225	N/A	N/A	N/A	N/A	N/A	N/A	N/A	N/A	N/A	N/A	N/A	N/A
Electrical Values																
Unit	Lbs	kN	Lbs	kN	Lbs	kN	Lbs	kN	Lbs	kN	Lbs	kN	Lbs	kN	Lbs	kN
Cantilever strength	2800	12.5	2800	12.5	2800	12.5	2800	12.5	2800	12.5	2800	12.5	2800	12.5	2800	12.5
Mechanical Strength																
Low-frequency dry flashover /kV	160		180		70		100		125		140		160		180	
Low-frequency wet flashover /kV	130		150		50		70		95		110		130		150	
Critical impulse flashover /kV	265		300		120		160		200		230		265		300	
Radio-influence Voltage																
Test voltage /kV	44		44		15		22		30		44		44		44	
Maximum RIV at 1,000 kHz /uV	200		200		100		100		200		200		200		200	
TYPE	Horizontal Cup-Base		Horizontal Cup-Base		Horizontal Gain-Base		Horizontal Gain-Base		Horizontal Gain-Base		Horizontal Gain-Base		Horizontal Gain-Base		Horizontal Gain-Base	



HPK
INSULATORS

LILING HUAXIN INSULATOR TECHNOLOGY CO.,LTD

Add: Pukou Industrial District, Liling City, Hunan Province, China. 412208

Tel: +86 0731-23138188 Fax: +86 0731-23136575

E-mail: info@hpk-insulators.com

**THE WORLD LARGEST
PORCELAIN**

INSULATOR 1100KV AC

H: 12m (39 ft)

Creep: 27m

Max. OD: 0.885m

